

**eArc SMF**  
**Installation Manual**  
**for Flat Roofs (Bitumen)**  
**Tape**

# Contents

1.0 Summary.....	1
1.1 Disclaimer.....	1
1.2 Responsibility.....	1
1.3 Copyright and Trademark Information.....	1
1.4 Warranty Warnings.....	1
1.5 For Further Information.....	1
2.0 Safety precautions.....	2
3.0 Mechanical / electrical properties.....	4
4.0 Storage and unpacking.....	5
5.0 Installation.....	6
5.1 Module wiring.....	8
5.2 Grounding.....	8
6.0 Installation instructions.....	9
6.1 Module and tools.....	9
6.1.1 Module.....	9
6.1.2 Construction tools.....	9
6.2 Unpacking, Handling and Checking Precautions.....	11
6.3 Construction Precautions.....	11
6.4 Precautions and Tips for Gluing Modules.....	12
6.5 Construction plan.....	12
6.5.1 Cleaning the roof surface.....	12
6.5.2 Positioning and releasing the line.....	13
6.5.3 Gluing rail.....	14
6.5.4 Laying modules.....	16
6.6 Wiring and testing.....	20
7.0 Maintenance.....	21
Annex A.....	22

Electrical performance parameter .....	22
Annex B .....	23
Cleaning agent .....	23

## 1.0 Summary

Thank you for purchasing Sunman eArc PV modules. This guide contains information regarding the installation and safe handling of Sunman (Zhenjiang) Company Limited eArc SMF PV system. Sunman (Zhenjiang) Company Limited referred to as “SUNMAN”. Users and installers must read and strictly follow the installation manual. Failure to follow these safety guidelines can result in personal injury or property damage. The installation and operation of solar modules require specialized skills, and only professionals can do the job. Please read the safety and installation instructions before using and operating the modules. The installer must inform the end customer (or consumer) of the above matters accordingly.

### 1.1 Disclaimer

Sunman reserves the right to change this installation manual without prior notice. Sunman does not guarantee any express or implied information contained in this manual.

Failure in operating according to instructions in this manual during installation will cause the warranty invalid.

### 1.2 Responsibility

Sunman is not responsible for any form of injury, including but not limited to physical injury and property damage caused during module operation, system installation and whether operated in accordance with the instructions in this manual.

### 1.3 Copyright and Trademark Information

Copyright © 2021 by Sunman (Zhenjiang) Company Limited. All rights reserved. eArc and the SUNMAN logo are trademarks of Sunman (Zhenjiang) Company Limited.

### 1.4 Warranty Warnings

WARRANTY VOID IF NON-SUNMAN-CERTIFIED HARDWARE IS ATTACHED TO eArc™ PV System.

### 1.5 For Further Information

For additional technical support documentation, please visit the Support page of the SUNMAN website at [www.sunman-energy.com](http://www.sunman-energy.com)

## 2.0 Safety precautions



**WARNING:** Please read and understand all safety instructions before installing, wiring, operating, or maintaining modules. DC power is generated when the module is exposed to sunlight or other light sources. Direct contact with live parts of the module, such as terminals, whether connected or not, may result in personal injury or death.

### Safety rules

- All installation work must be in full compliance with local regulations and corresponding national or international electrical standards.
- Use insulated tools to reduce the risk of electric shock.
- Use appropriate protective measures (slip gloves, overalls, etc.) to avoid direct contact with workers at 30V DC or higher, while avoiding direct contact with sharp edges during installation to protect the operator's hands.
- Do not wear metal ornaments when installing, to avoid puncturing the modules and causing electric shock.
- If modules are installed or operated on rainy days, strong winds or dew mornings, appropriate protective measures should be taken to avoid injury to modules and workers.
- Children or unauthorized personnel are not allowed to access the installation area or module storage area.
- If the circuit breaker and overcurrent protection circuit breaker cannot be opened, or if the inverter cannot be turned off during the module installation or wiring, cover the array modules with opaque material to stop the power output.
- Do not use or install damaged modules.
- If the module surface is damaged or worn, direct contact with the surface of the module may result in electric shock.
- Do not attempt to repair any part of the module, there are no user-accessible components within the module.
- The cover of the junction box should remain closed at all times.
- Do not split the modules or move any part of the module.
- Do not artificially condense light on modules.

- Do not connect or disconnect modules when there is current in the module or external current.

### **3.0 Mechanical / electrical properties**

The rated electrical performance data for the modules is measured under standard test conditions (STC) of irradiance of  $1000 \text{ w/m}^2$ , AM 1.5, and cell temperature of  $25 \text{ }^\circ\text{C}$ . The specific electrical and mechanical performance parameters of Sunman eArc modules are included in Annex A of this installation manual. The main electrical performance parameters under STC conditions are also marked on the nameplate of each module. The maximum system voltage for all modules is 1000V.

In some cases, the current or voltage generated by the module may be greater than the optimal operating current or voltage of its standard test condition (STC). Therefore, when determining the component rating and load value, the module open circuit voltage and short circuit current at STC should be multiplied by 1.25.

## 4.0 Storage and unpacking

### Precautions and general safety rules

- Store modules in a dry and ventilated environment.
- The modules must be transported in the package provided by Sunman and stored in the original package before installation. Please protect the packaging from damage. Open the package according to the recommended unpacking steps. Care must be taken during unpacking, shipping, and storage.
- Do not apply excessive loads on the modules or twist the modules.
- Do not carry the modules through the wires or junction boxes of the modules.
- Do not stand, climb, walk or jump on modules.
- Do not allow sharp objects to touch the modules. Scratches can directly affect the safety of the modules.
- Do not place the modules in an environment where there is no reliable support or is not fixed.
- Do not change the wiring method of the bypass diode.
- Keep all electrical connections clean and dry.

### Product identification

- Barcode: each individual eArc has a unique serial number. The serial number has 18 digits. The 1st to 4th digits are the module type for internal use, and 5th to 8th digits are the year code, and the 9th and 10th digits are the month code, and the 11th and the 12th digits are the week code, and the 13th and 14th digits are the month code, and the 15th to 17th digits are order number, and the 18th to 21th digits are the sequence codes. For example, xxxx20210415xxxxxxxx means the module was made in the 15th week of 2021. Each module has only one bar code. It is permanently attached to the interior of eArc and is visible from the top front of eArc. This bar code is inserted prior to lamination.



- There is a nameplate, which shows the model number, main electrical properties, safety specifications and certification indicator, on the back of each module.



## 5.0 Installation

### Precautions and general safety rules

- Before installing the modules, please contact the relevant department to obtain information about the installation site and the construction permit, and also comply with the installation and inspection requirements.
- Check the applicable building codes to ensure that the building to be installed and its structure (roof, facade, load-bearing, etc.) has sufficient load-bearing capacity.
- During installation, make sure that the modules are installed on a fire-resistant roof. According to UL790 standards, Sunman eArc modules are rated as fire rating C.
- The eArc modules are compliant with application level A (equivalent to safety level II, IEC 61730-1). This type of modules can be used in systems where the public is likely to come into contact with voltages greater than 50V or power greater than 240W.

### Environmental conditions

The modules are suitable for general climatic conditions, ie with reference to IEC 60721-2-1- Classification of environmental conditions Part 2-1: Environmental conditions occurring in nature - temperature and humidity.

- If the modules are used in a special installation environment, please consult the technical support department of Sunman in advance.
- The installation surface should be flat without bumps or pits.
- The modules must not be installed near flames or flammable objects.
- Do not expose modules to artificial condensing light sources
- The modules should not be immersed in water (pure water or salt water), or installed in long-term water environment (pure water or salt water) (eg fountains, sprays, etc.) or area prone to water accumulation (eg roof drain, low-lying areas, etc.).
- If the module is placed in a salt mist (ie marine environment) or in an environment containing sulfur (ie, sulfur sources, volcanoes, etc.), there is a risk of corrosion.
- **Failure to follow the above precautions, Sunman Warranty will be invalid.**

## Installation requirements

- Make sure the modules meet the overall technical requirements of the system.
- Ensure that components of other systems do not cause damaging mechanical or electrical performance effects on the modules.
- Allow modules in series to increase voltage or in parallel to increase current. When connected in series, the positive pole of the module is connected to the next negative pole. When connected in parallel, the positive pole of the module is connected to the positive pole of the next module.
- The number of bypass diodes provided varies depending on the module model.
- Connect the appropriate number of modules according to the voltage specifications of the inverter used in the system. Even at the worst local temperature conditions, the connected modules must produce no more than the voltage allowed by the system. If overcurrent protection devices (fuse) are not used in series within each string of modules, up to two strings of modules can be connected in parallel. If a suitable verified overcurrent protection device is connected in series with each string of modules, three strings or more modules can be connected in parallel.
- In order to avoid (or reduce) the mismatch effect of the array, it is recommended to connect modules of similar electrical performance on the same string.
- In order to reduce the risk of indirect lightning strikes, loops should be avoided when designing the system.
- The modules should be securely fastened to withstand all possible loads, including wind and snow loads.

## Optimal orientation and inclination

- In order to achieve maximum annual power generation, the optimal orientation and inclination of the PV module should be determined first. The maximum electrical energy is typically generated when sunlight is directed onto the PV module.

## Avoid shadows

- Even small shadows (such as dust) can cause a drop in power generation. If all surfaces of the module are uncovered throughout the year, the module is considered "no shadow". Ensure that the sun shines on the modules even on the shortest day of radiation all through the year.

- EVA aging caused by frequent occlusion of modules and long-term heating of the diode can affect the lifetime of the module.

## 5.1 Module wiring

### Correct electrical wiring

- Check that the wiring is correct before starting the system. If the measured open circuit voltage (Voc) and short circuit current (Isc) do not match the specifications provided, there may be a wiring fault.

### Correct connection of the MC4 connector

- Make sure the MC4 connector is secure and properly connected. The MC4 connector must not be subjected to external pressure. The MC4 connector can only be used for circuit connection functions and should not be used to turn the circuit on and off.
- The MC4 connector should be kept dry and clean to prevent rain and moisture. Avoid direct sunlight and water soaking of the MC4 connector.

### Use appropriate materials

- Depending on local fire, construction and electrical standard, use dedicated solar cables and suitable MC4 connectors to ensure the electrical and mechanical performance of the cable.
- The solar cable licensed for use is a single-wire cable, 2.5-10mm<sup>2</sup> (8-14 AWG), 90°C grade, with appropriate insulation to withstand the maximum possible system open circuit voltage. The appropriate wire size needs to be chosen to reduce the voltage drop. The wire should be made of copper.

### Cable protection

- Secure the cable to the mounting system with a cable tie that is UV resistant. Appropriate measures should be taken to protect the exposed cable from damage (eg. in a plastic sleeve with UV aging resistance). Avoid direct exposure of the cable to direct sunlight.

## 5.2 Grounding

- With adhesive tape on the back of SMF modules, there is no metal conductor for the module, so no grounding of module is required.

## 6.0 Installation instructions

### 6.1 Module and tools

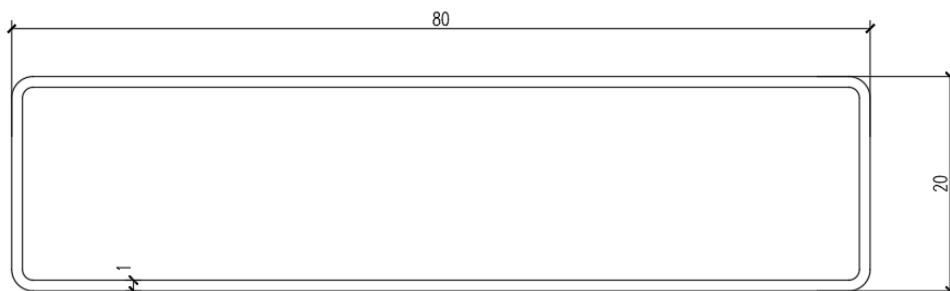
#### 6.1.1 Module

SMF modules		
156.75mm	158.75mm	166mm
SMF290M-6X10DW	SMF310M-6X10DW	SMF140F-12X04DW
SMF290M-6X10UW	SMF305M-6X10DW	SMF140F-12X04UW
SMF345M-6X12DW	SMF310M-6X10UW	SMF285F-12X08DW
SMF345M-6X12UW	SMF305M-6X10UW	SMF285F-12X08UW
	SMF375M-6X12DW	SMF430F-12X12DW
	SMF370M-6X12DW	SMF430F-12X12UW
	SMF375M-6X12UW	SMF320F-12X09UW
	SMF370M-6X12UW	SMF430F-6X24DW

The electrical performance parameters are detailed in Annex A.

#### 6.1.2 Construction tools

- Aluminum support rail, silicone sealant (glue), Compaction roller, plastic roller, cleaning tool, tape measure, thread release tool, etc.
- Aluminum support rail



The material is 6063-T5/T6.

The dimension of support rail is 80x20x1 mm

- silicone sealant (glue)

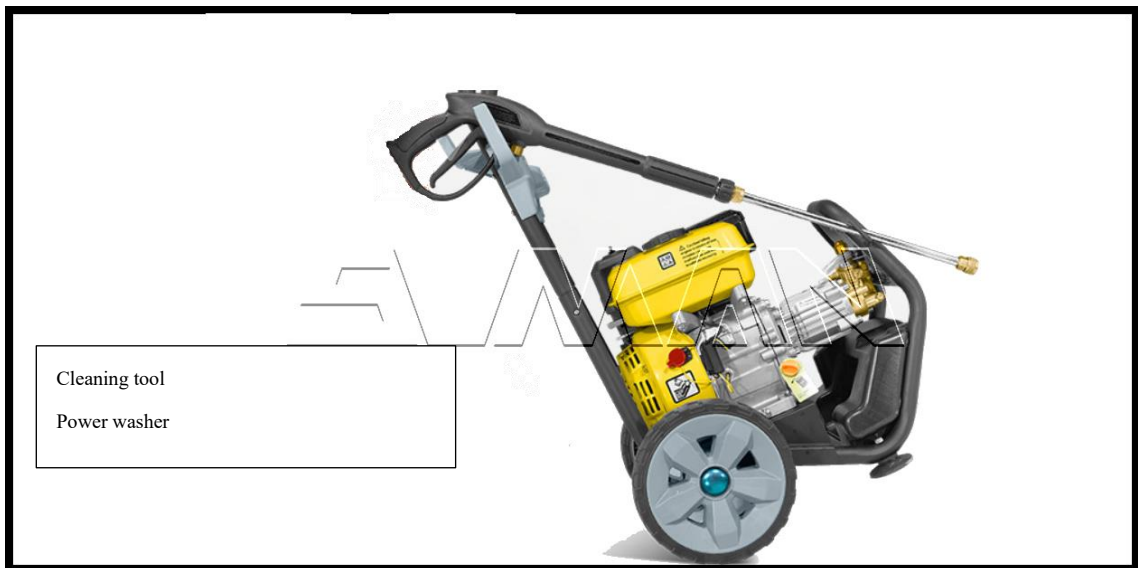


■ **Glue gun**



■ **Plastic roller and cleaning tool**





## 6.2 Unpacking, Handling and Checking Precautions

- Do not open modules outer Package before installation.
- Check the outer package for damage before unpacking.
- Slip-Proof Gloves are recommended for unpacking and handling.
- Do not grab the modules by the junction box or cables during unpacking or handling.
- Modules should be handled and lifted by at least two people. Do not touch the solar cell area during handling to avoid cell-cracks.
- Be careful while carrying the modules. Avoid hitting the modules on the ground or other sharp, hard objects. Scratches will affect the module's safe operation.
- Check the surfaces of the modules, make sure there's no damage to the frontsheet and the backsheet.
- Check the junction box, connectors, and cables for any damage. Double check if the junction box cover is fixed securely.
- Do not paint or apply glue or label on the surface of the modules.

## 6.3 Construction Precautions

- Normal construction can be carried out in the temperature range of -10 to 45 Celsius degrees (5 to 40 Celsius degrees is the best), and the humidity is below 80 Celsius degrees.

- The surface of the roof must be cleaned or wiped dry, free of floating soil, oil, etc. In order to achieve the required adhesion, the roof shall be cleaned using the cleaning agent specified in Annex B or Sunman- approved cleaning agent.
- The bondage shall not be torn or peeled within 24 hours after construction.
- The roof angle is within **45 degrees**.
- The adhesive surface needs to be flat without pits or protrusions.
- The height of the structural adhesive should not be less than 3mm.
- Support rail should be laid along the direction of the roof water flow, to ensure smooth drainage (preferred)
- When the laying direction of the support rail is perpendicular to the direction of the water flow, the rail and the roof should be pasted intermittently to ensure smooth drainage (not recommended)

## 6.4 Precautions and Tips for Gluing Modules

- Please make sure the surface is cleaned and there are no water pits before gluing;
- Glue along the middle line of the rail. Width of silicone glue strips should exceed 10 mm and height of the strips should exceed 4 mm
- Applying the silicone glue should be a continuous and even movement. Please use a roller to spread out the glue strips evenly. Do not shave the glue strips to spread them out;
- Make sure to complete the gluing and mounting over a duration that does not exceed 5 minutes;
- Silicone sealant will cure to a depth of 2-3mm in 48 hours. Do NOT apply any force on the module before curing is complete;

## 6.5 Construction plan

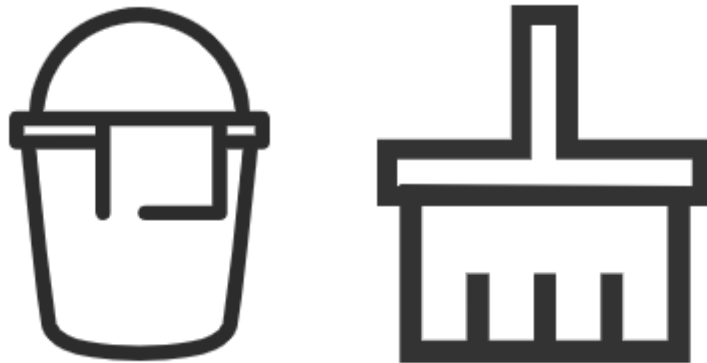
Note: The installation steps are illustrated with waterproof membrane for reference only. Different roofing types can be constructed according to this step

### Installation steps

#### 6.5.1 Cleaning the roof surface

Remove debris from the roof base and use a designated or approved cleaning agent (Annex B) to clean the roof. If the roof is very dirty, use a low-pressure water

spray or power washer before using the cleaner. Use 1/4 cup of trisodium phosphate, 1/2 cup of liquid cleaner (optional) and 5 gallons of water for cleaning.



### 6.5.2 Positioning and releasing the line

- Locate the line and determine the installation position of the module.

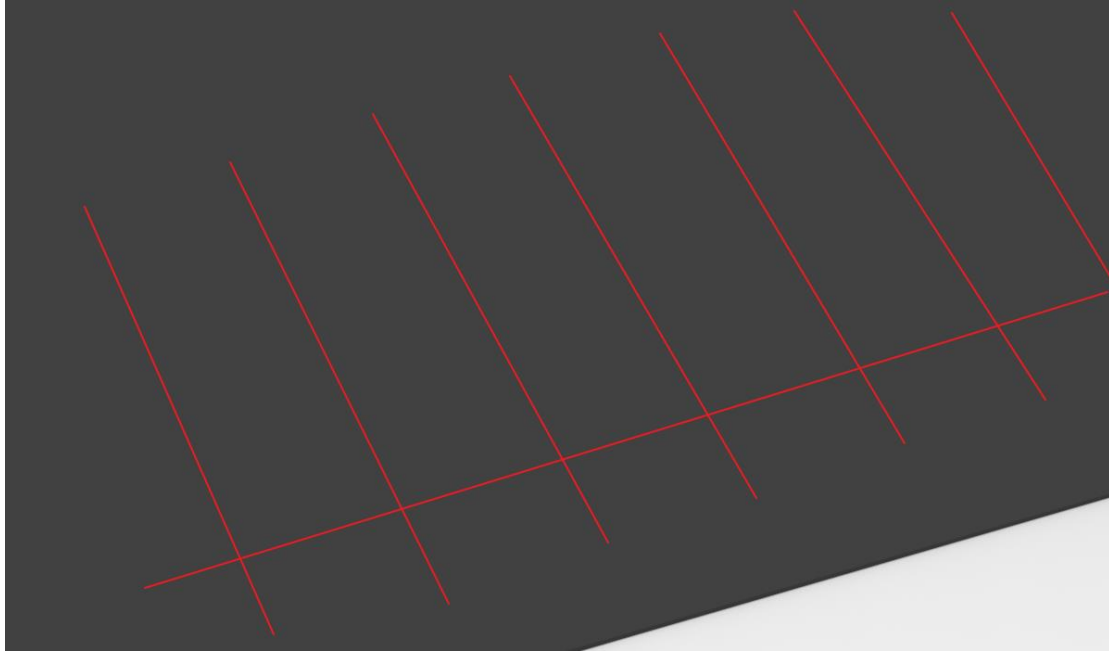




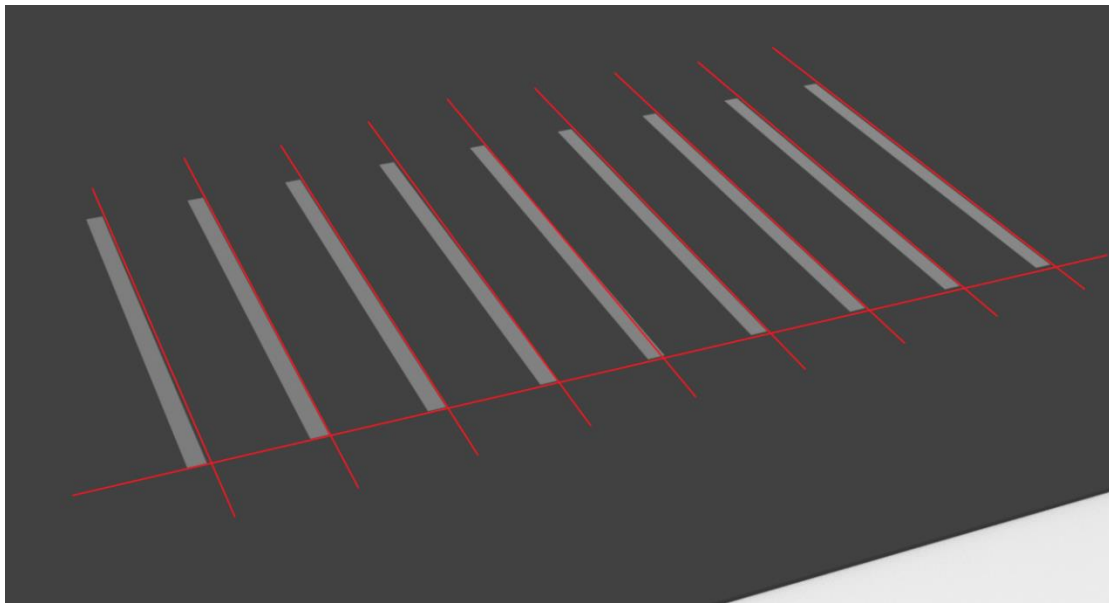


### 6.5.3 Gluing rail

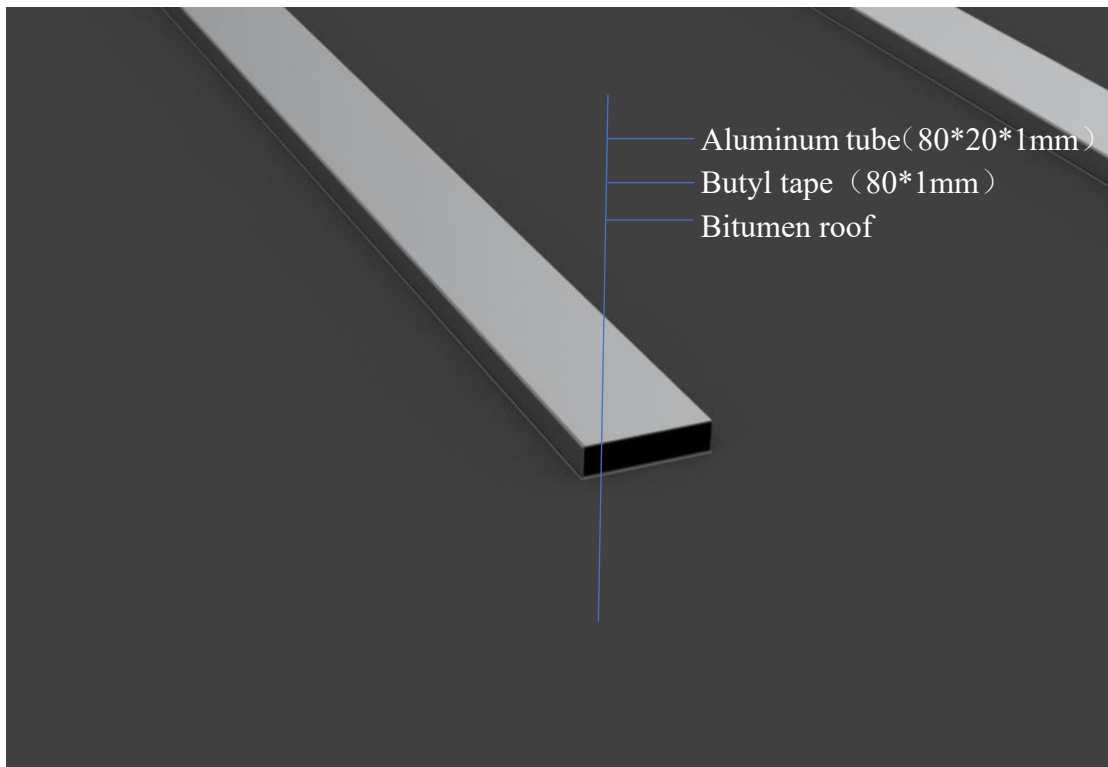
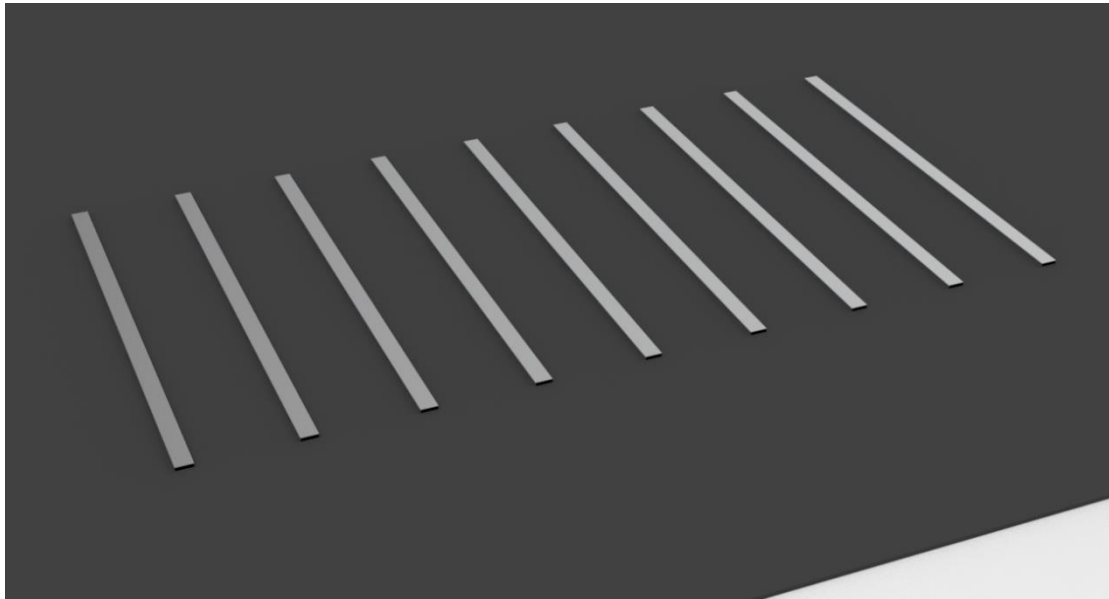
- Paste butyl tape according to the locating lines.



- After attaching the butyl adhesive tape, use a plastic roller to compress the tape to ensure the adhesive performance

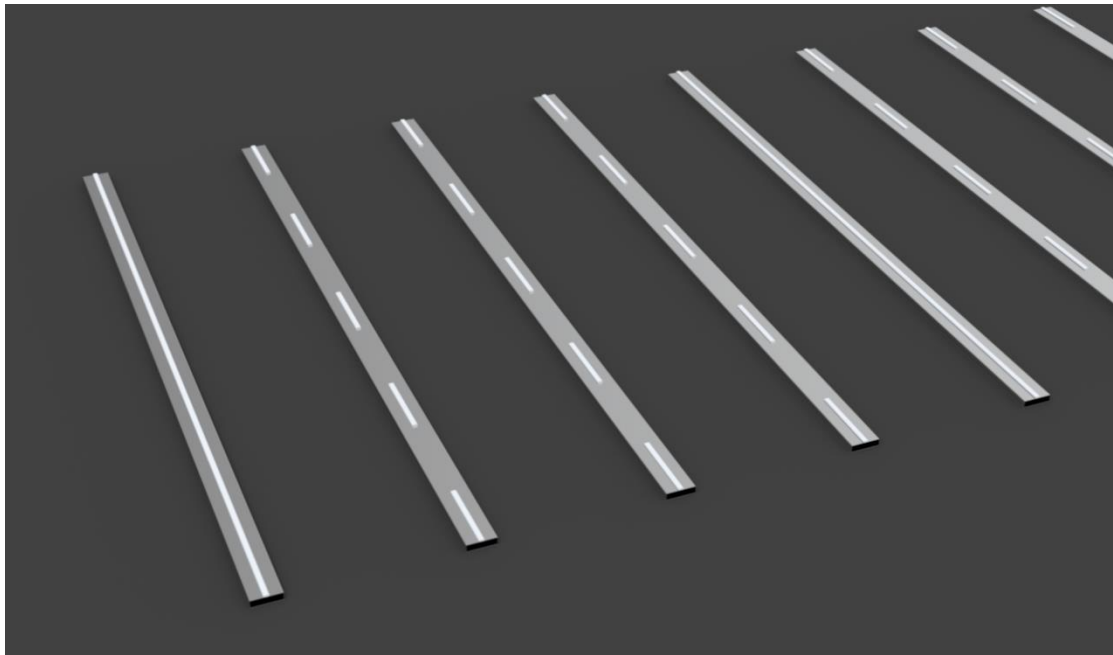


- Paste the rail on the butyl tape, and use the plastic roller to compress the tape and rail.

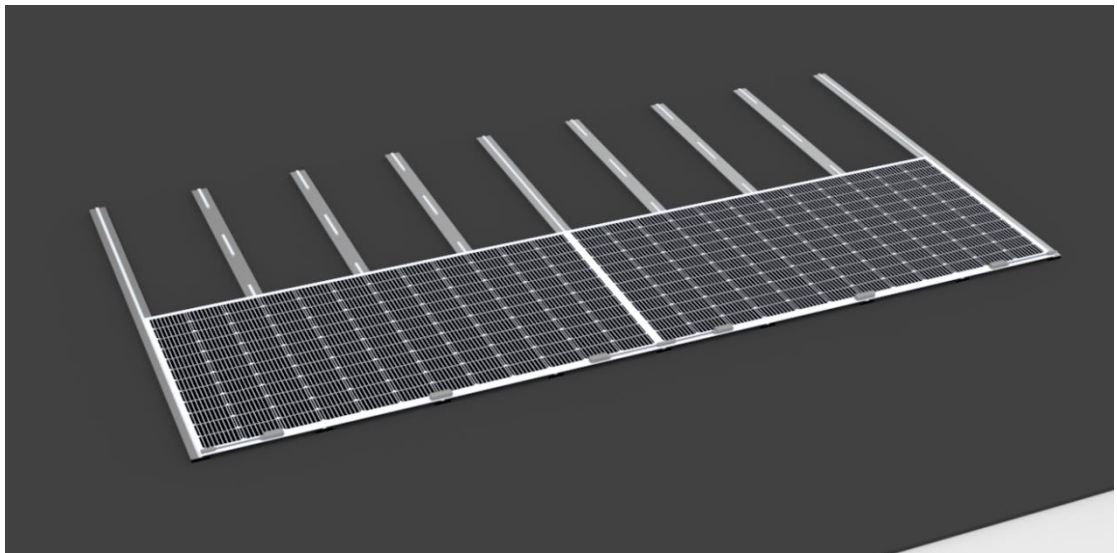
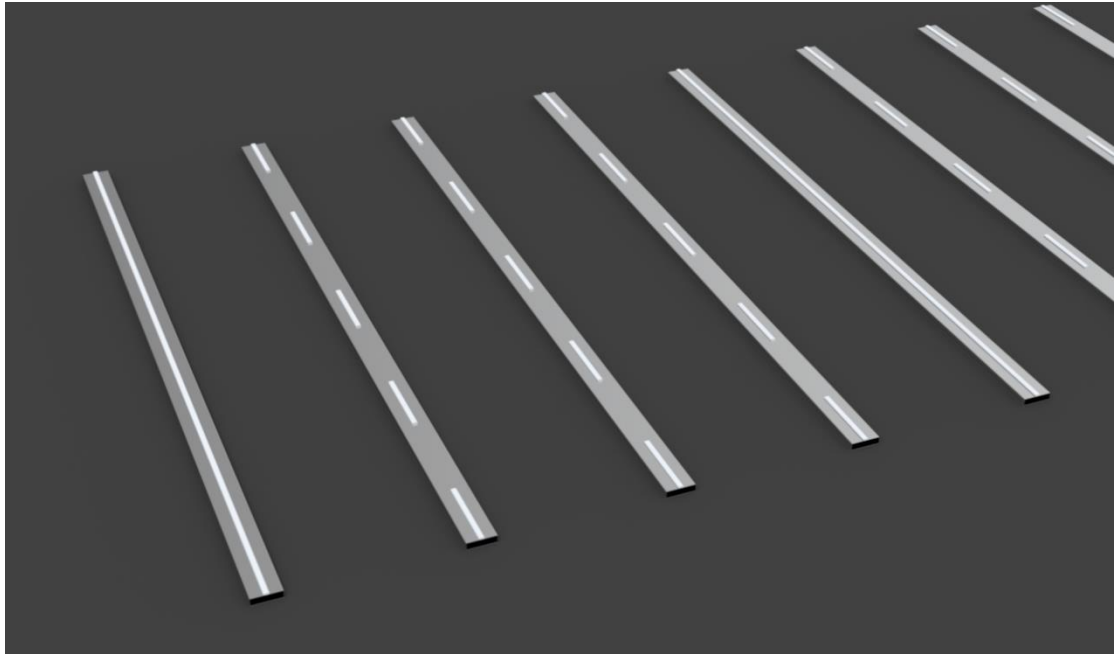


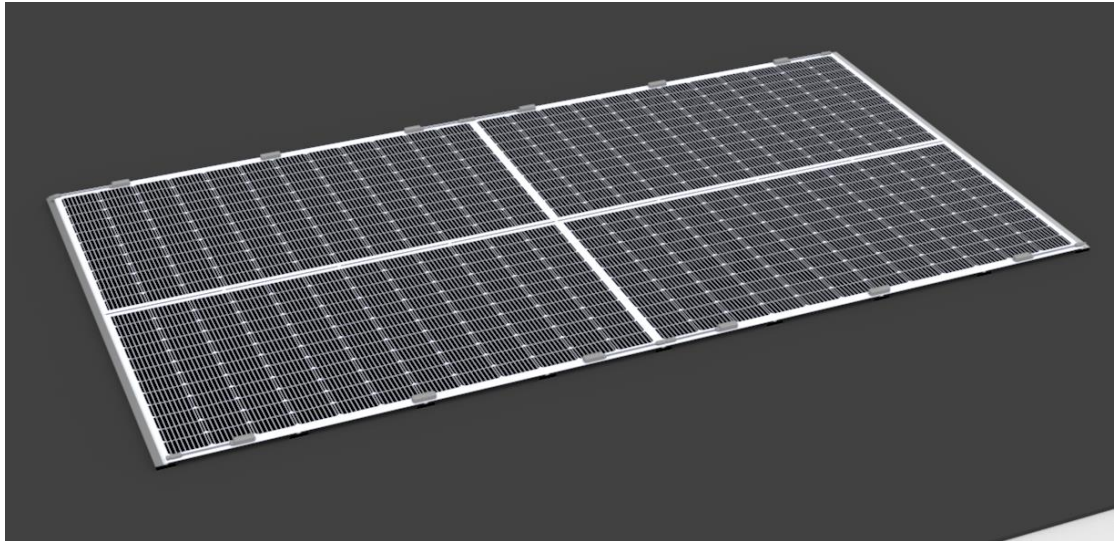
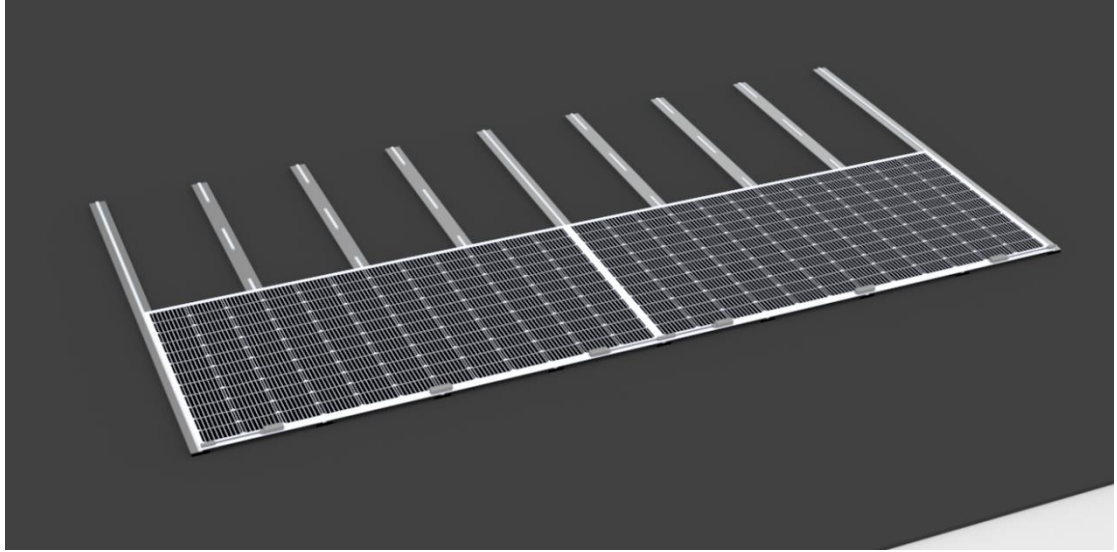
#### 6.5.4 Laying modules

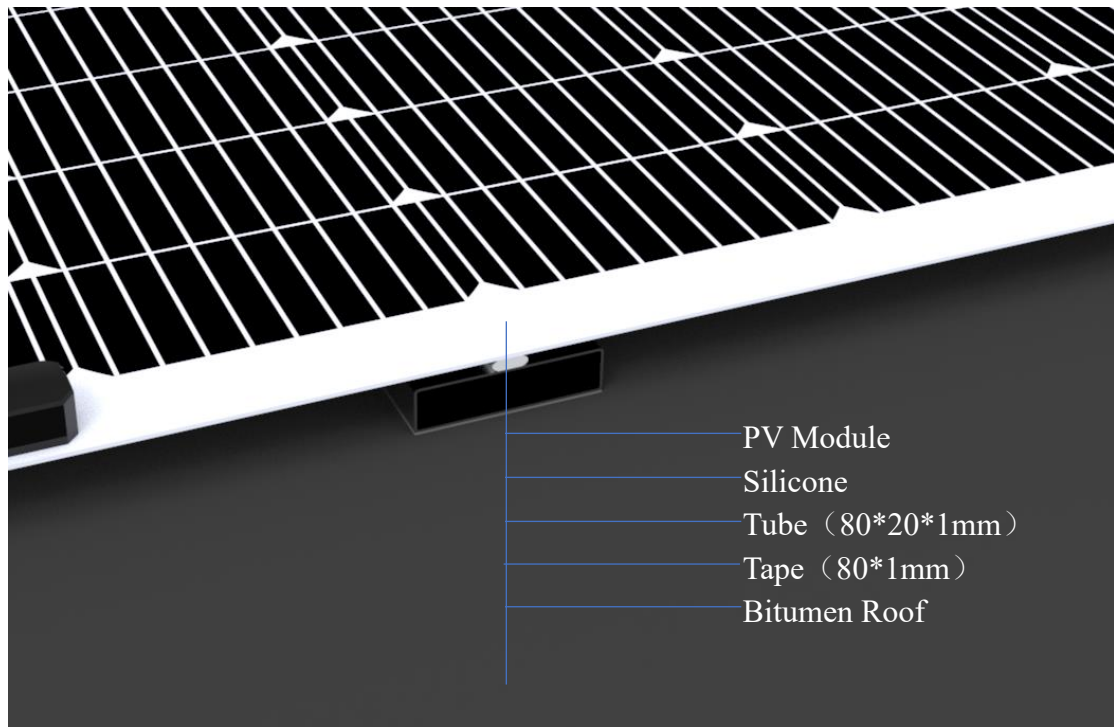
- Making Glue on the rail followed the Precautions and Tips for Gluing Modules;
- The two ends of a single module are continuously glued, and the middle adhesive area is glued sectionally. The glue length is 200mm. The sectional distance and glue length in middle can be adjusted according to the actual situation on site



- Do not bend the module during installation. Two people should grasp the white edge of the module and place it onto the glue. Modules should be in a straight position during placement. Do not re-glue the modules.
- Once modules are placed, avoid hand-pressing the cell-area to facilitate adhesion. Instead use a compaction roller to press the edge (non-cell area) of the module down. Also use a Plastic roller to apply gentle force to the cell area to facilitate adhesion.
- The minimum distance between the modules is 2mm, and the distance between each array is 500-800mm, which is used as a construction maintenance walkway. (refer to the pictures)
- If the module is selected as 12\*12 series (the junction box is in the long side direction of the module), the junction box side should placed at the edge position for wiring and maintenance.
- Install remaining modules according to the preceding steps







## 6.6 Wiring and testing

Before wiring, measure the open circuit voltage and short circuit current of a single module and make a record. Connect all the components in the string in series and measure the string voltage. The string voltage is equal to the sum of the open circuit voltages of all the modules.

The maximum number of modules in series must be calculated in accordance with the requirements of relevant regulations, and its open circuit voltage at the lowest expected local temperature cannot exceed the maximum system voltage specified by the module (according to the IEC61730 safety test, the maximum system voltage of the eArc module is DC1000V) and the required value of other DC electrical components.

## 7.0 Maintenance

To ensure optimal performance of modules and maximize system power generation, the following maintenance measures are recommended:

1 Module appearance inspection, focusing on the following points:

- a) Whether the module is damaged.
- b) Whether there is a sharp object touching the surface of the module.
- c) Whether the modules are obstructed by obstacles and objects, avoiding new trees, new poles etc. to shielding the modules.
- d) Check for corrosion near the busbar. This kind of corrosion is caused by the damage of the module surface during transportation, which causes moisture to penetrate into the interior of the module.
- e) Check the adhesive tape between the module and the roof for looseness or damage and adjust or repair it in time.

2 Clean the modules. The accumulation of dust or dirt on the surface of the modules will reduce the power output. It should be cleaned regularly to keep the surface clean. Generally, it should be cleaned at least once a month, appropriately increase the frequency in the harsh natural environment. Pay attention when cleaning PV modules:

- a) Rinse with water first, then dry the water with a soft cloth. Do not use corrosive solvents to clean or wipe the PV modules with hard objects.
- b) The PV module should be cleaned at an irradiance of less than  $200 \text{ W/m}^2$ . It should be cleaned in the absence of sunlight or in the morning and evening.
- c) It is strictly forbidden to clean PV modules under meteorological conditions where the wind is greater than grade 4, heavy rain or heavy snow.

**Note: Do not walk, stand or sit on the module when cleaning.**

3 Connector and cable inspection. It is recommended to conduct a preventive inspection every six months:

- a) Check for signs of aging of PV modules, including possible rodent damage, weathering, and whether all connectors are tightly connected or corroded.



## Annex A

### Electrical performance parameter

Series	Products	STC					module size
		Pmp	Vmp	Imp	Voc	Isc	
SMF (156.75mm)	SMF290M-6X10DW	290	32.6	8.9	39.9	9.43	1633*990*2
	SMF290M-6X10UW	290	32.6	8.9	39.9	9.43	1661*990*2
	SMF345M-6X12DW	345	38.9	8.87	47.7	9.41	1950*990*2
	SMF345M-6X12UW	345	38.9	8.87	47.7	9.41	1978*990*2
SMF (158.75mm)	SMF310M-6X10DW	310	33.3	9.31	40.5	9.81	1653*1000*2
	SMF305M-6X10DW	305	33.0	9.25	40.3	9.74	1653*1000*2
	SMF310M-6X10UW	310	33.3	9.31	40.5	9.81	1681*1000*2
	SMF305M-6X10UW	305	33.0	9.25	40.3	9.74	1681*1000*2
	SMF375M-6X12DW	375	40.2	9.33	48.6	9.86	1974*1000*2
	SMF370M-6X12DW	370	39.9	9.28	48.4	9.81	1974*1000*2
	SMF375M-6X12UW	375	40.2	9.33	48.6	9.86	2002*1000*2
	SMF370M-6X12UW	370	39.9	9.28	48.4	9.81	2002*1000*2
SMF (166mm)	SMF140F-12X04DW	140	13.6	10.30	16.2	10.76	2054*413*2
	SMF140F-12X04UW	140	13.6	10.30	16.2	10.76	2054*413*2
	SMF285F-12X08DW	285	27.7	10.29	32.9	10.78	2054*753*2
	SMF285F-12X08UW	285	27.7	10.29	32.9	10.78	2054*753*2
	SMF430F-12X12DW	430	42.0	10.24	49.8	10.74	2054*1084*2
	SMF430F-12X12UW	430	42.0	10.24	49.8	10.74	2054*1084*2
	SMF320F-12X09UW	320	31.2	10.26	37.0	10.76	2100*860*2
	SMF430F-6X24DW	430	42.0	10.24	49.8	10.74	2120*1046*2

## Annex B

### Cleaning agent

Roof type	Cleaning agent recommended by Sunman
TPO、PVC、Asphalt、EPDM、etc. plastic roof	Plastic cleaner NLJ-16032
Color steel tile, glass roof, metal roof	90% isopropanol + 10% water

The above cleaning agent or the approved cleaning agent must be used, otherwise the warranty is invalid.